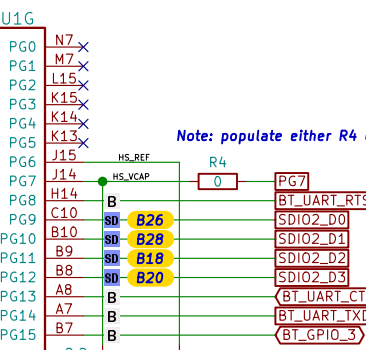
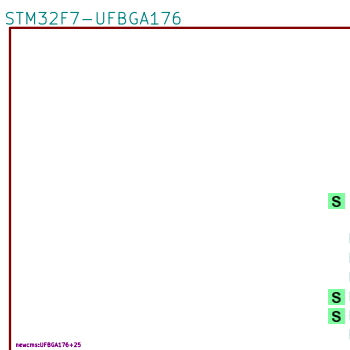
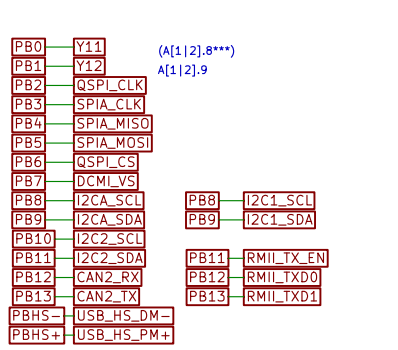
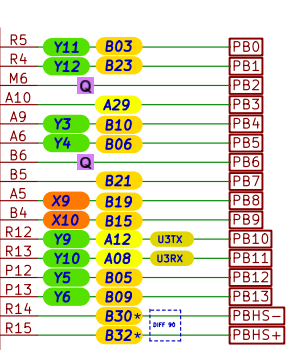
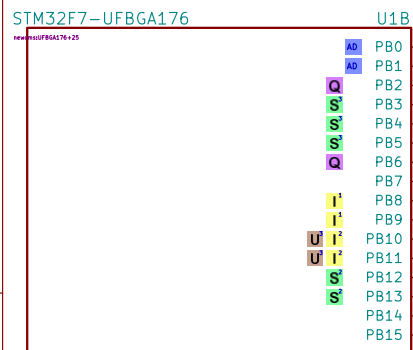
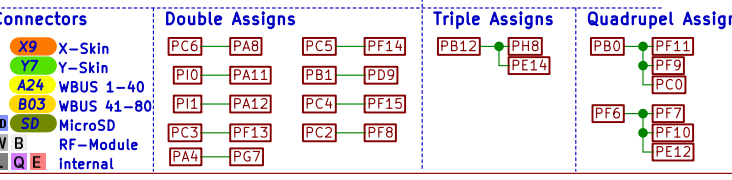
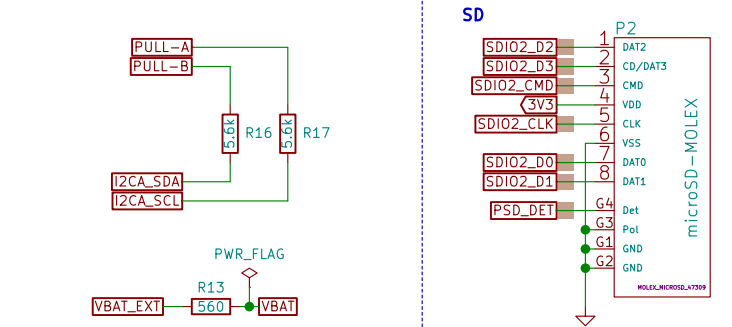
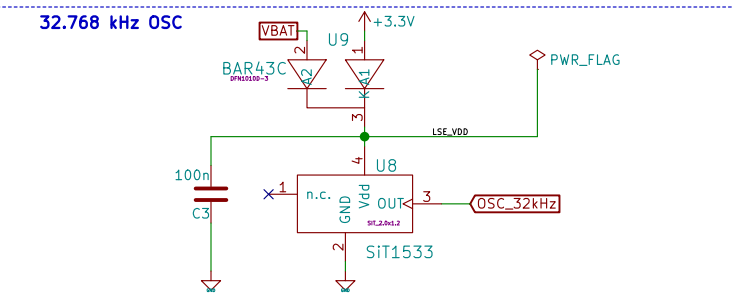
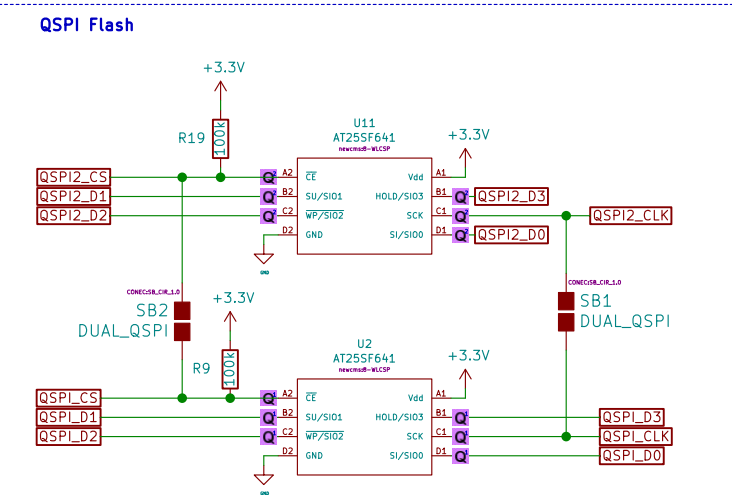
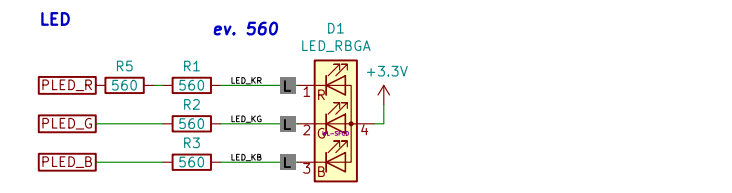
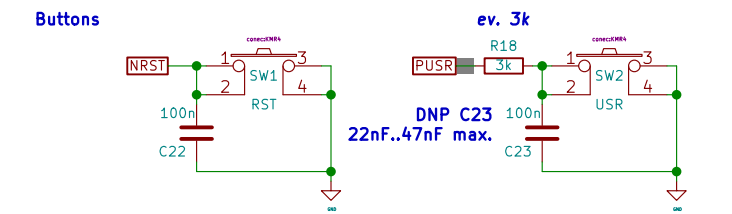
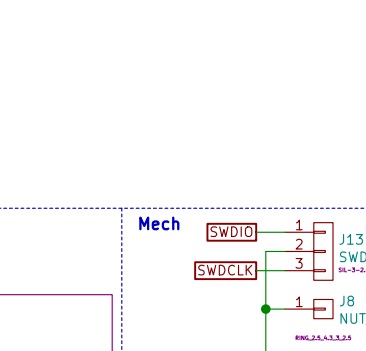
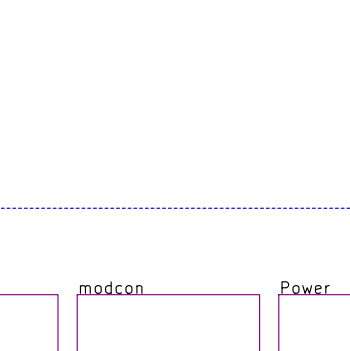
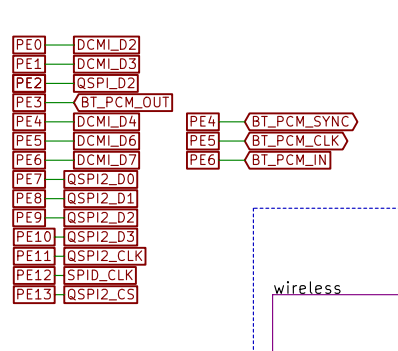
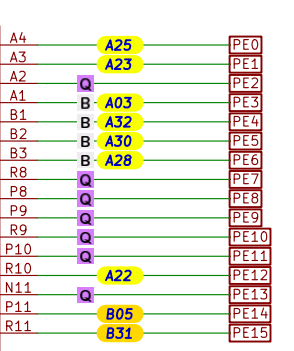
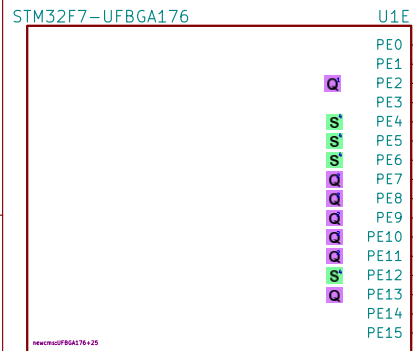
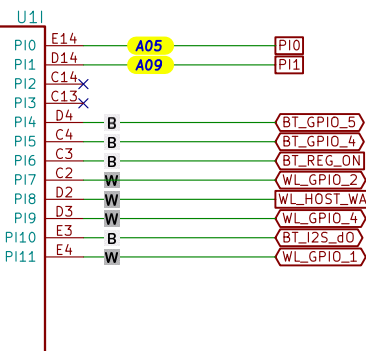
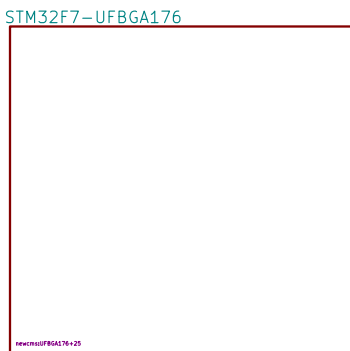
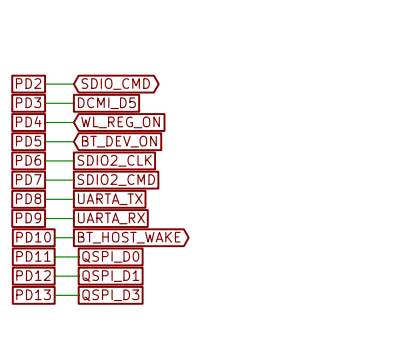
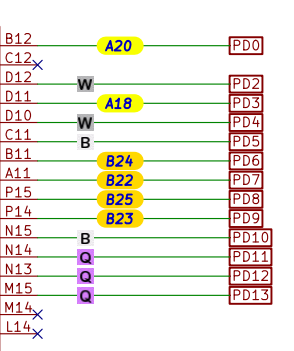
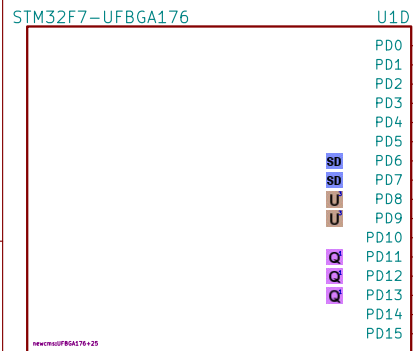
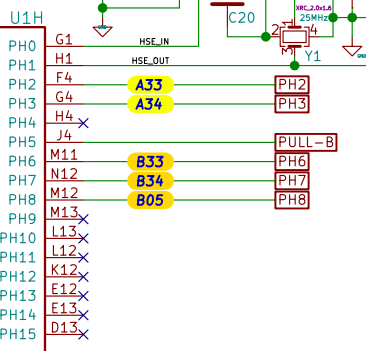
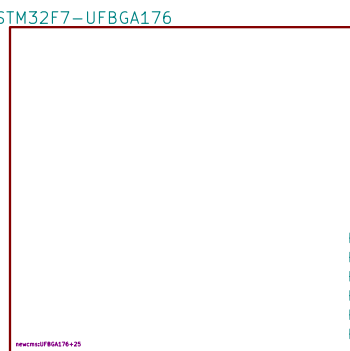
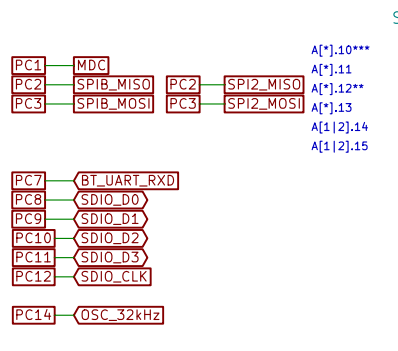
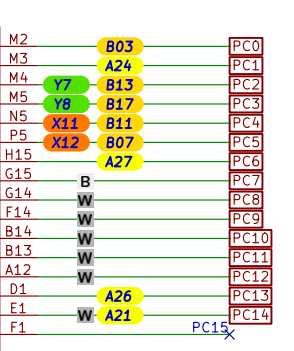
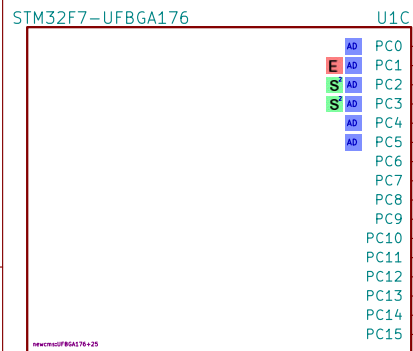
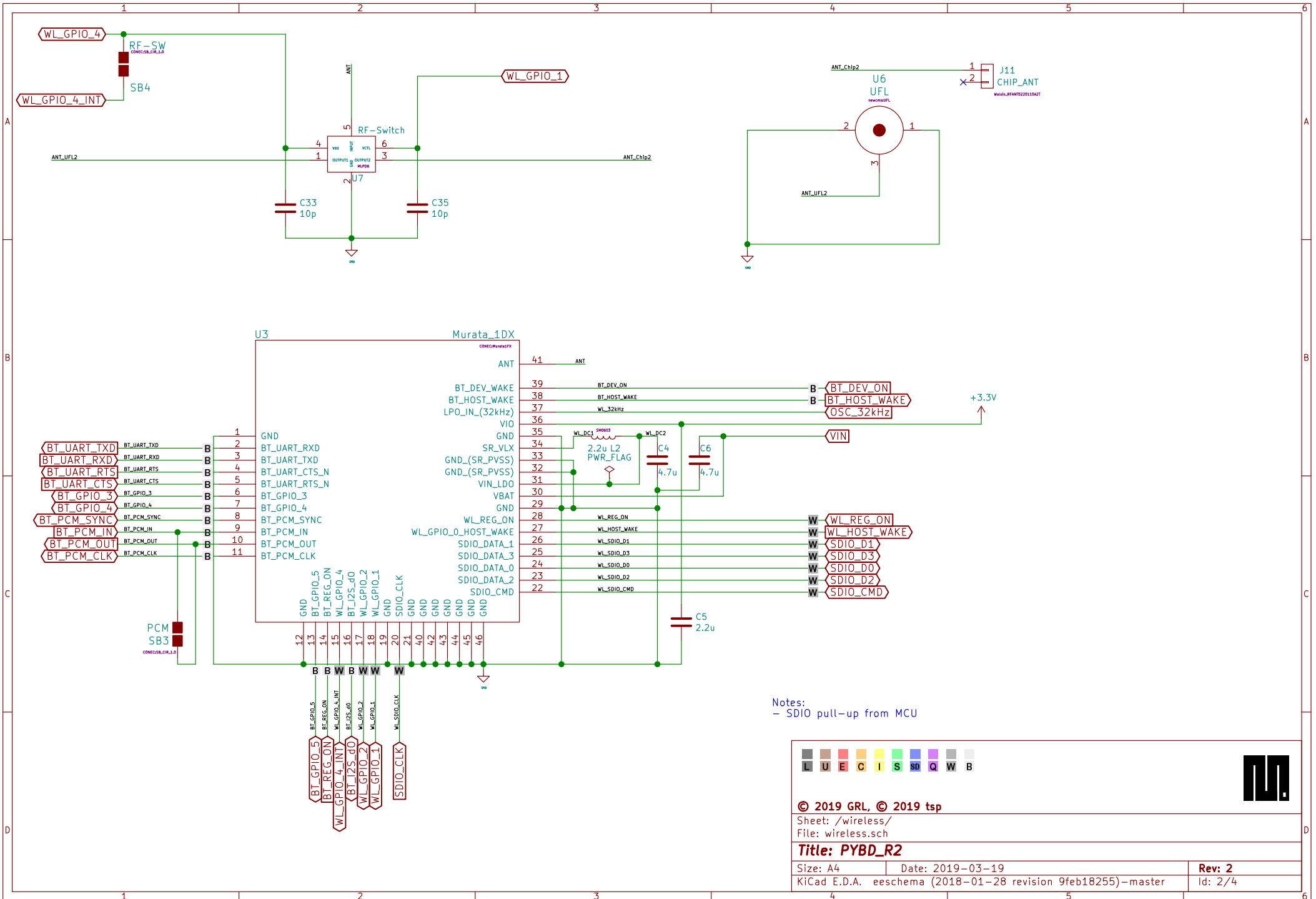


(A3.4\*)  
(A3.5)\*\*  
(A3.6)\*\*  
(A3.7)\*\*  
A3.8\*



Note: populate either R4 or C26, not both!

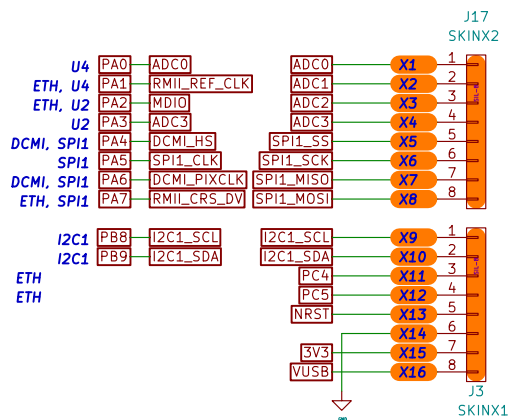




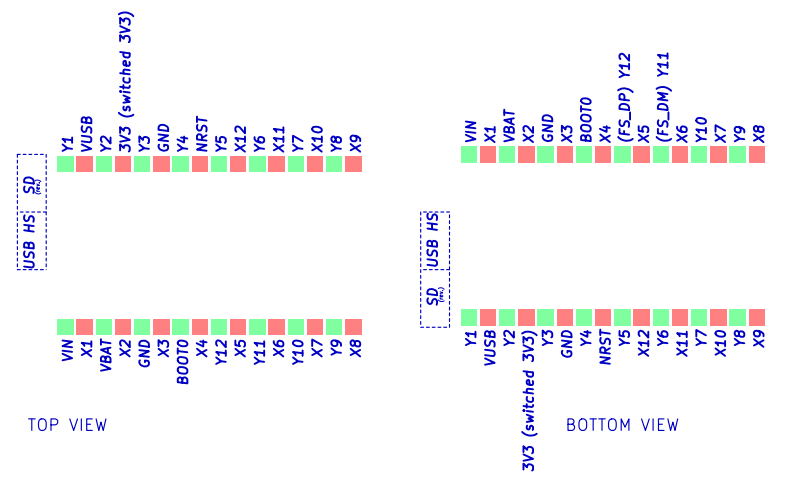
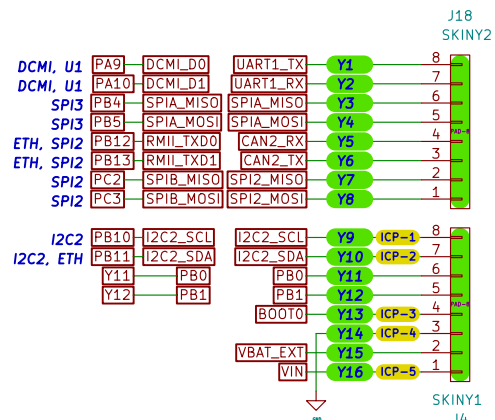
Notes:  
 - SDIO pull-up from MCU

© 2019 GRL, © 2019 tsp														
Sheet: /wireless/ File: wireless.sch														
<b>Title: PYBD_R2</b>														
Size: A4					Date: 2019-03-19					Rev: 2				
KiCad E.D.A. eeschema (2018-01-28 revision 9feb18255)-master										Id: 2/4				

### SKIN X

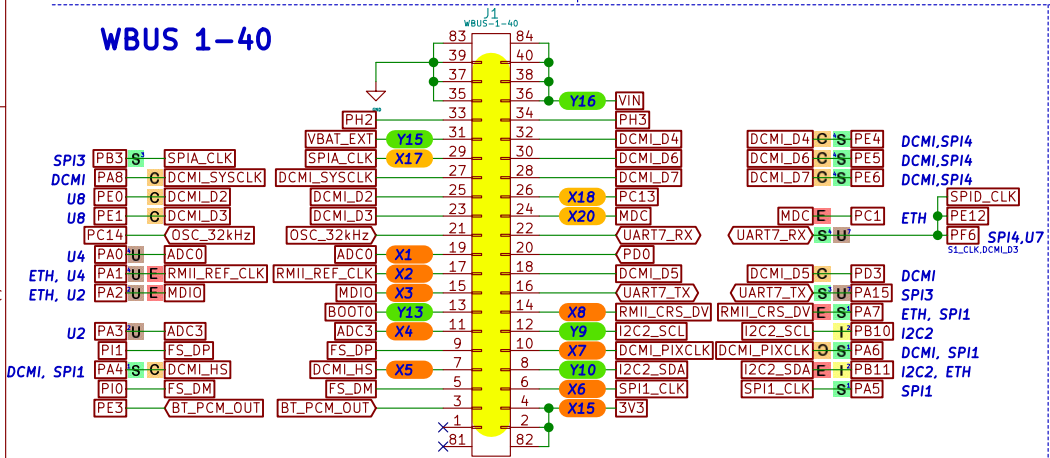


### SKIN Y

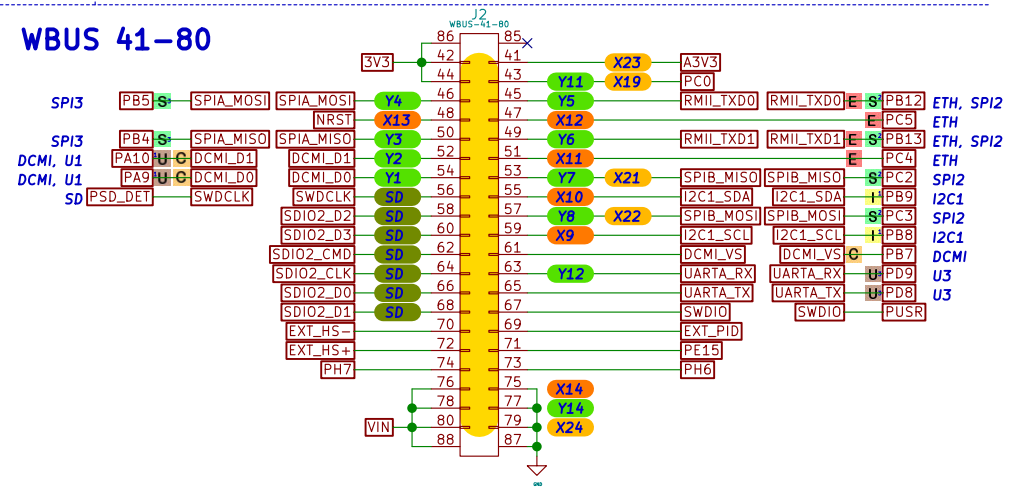


Port	Bus	Pin	Signal
P01	A13	BOOT0	
P02	B10	PB4	
P03	A16	PA15	
P04	B19	PA14, PSD_DET, SWDCLK	
P05	B27	PA15, PUSR, SWDIO	
P06	A11	VBAT_EXT	
P07	B40	Y4	
P08	B39	GND	
P17	A29	PB3	
P18	A26	PC13	
P19	B03	PC0 (PB0, PF9, PF11)	
P20	A24	PA1	
P21	B13	PC2 (PF8)	
P22	B17	PC3 (PF13)	
P23	B05	AD3	
P24	B39	GND	

### WBUS 1-40

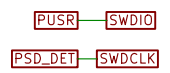
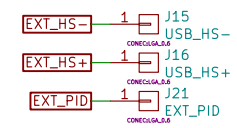
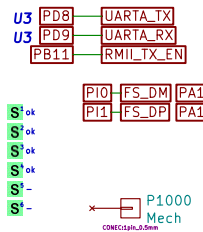


### WBUS 41-80

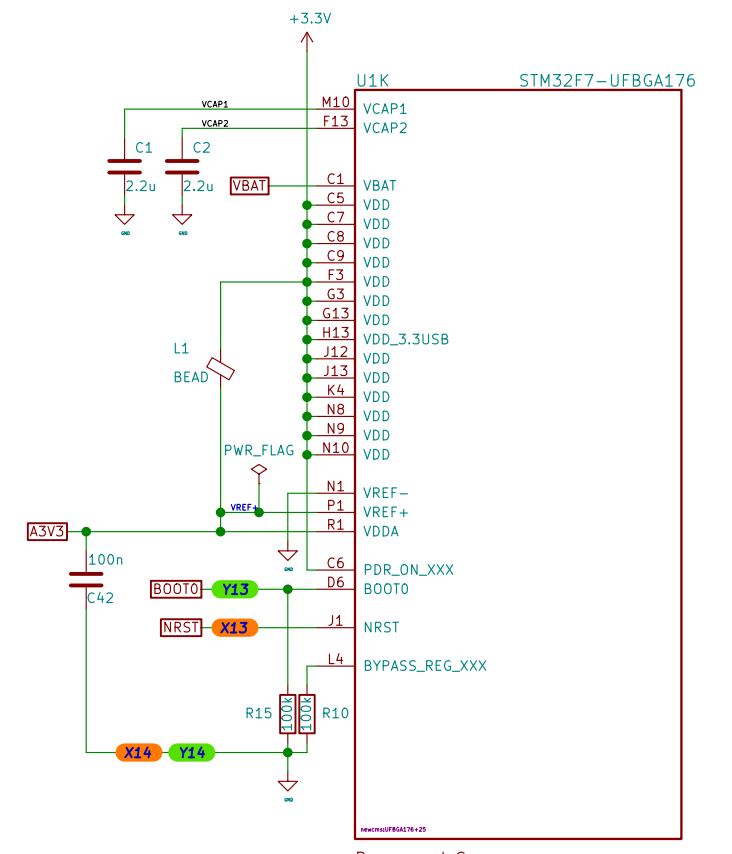
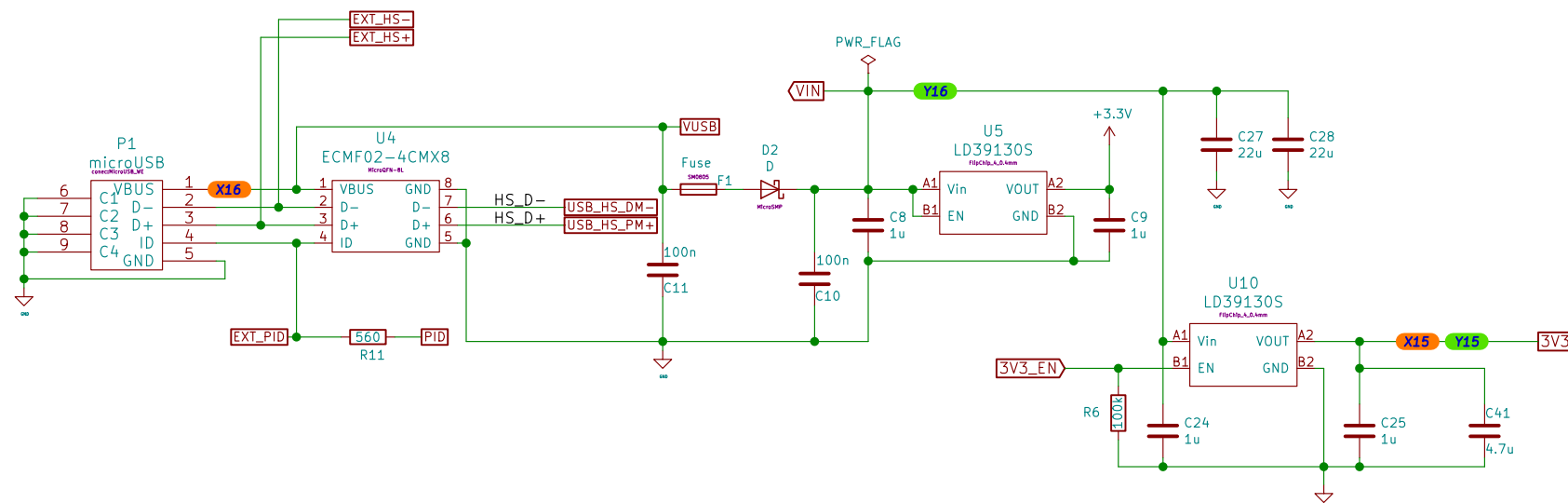
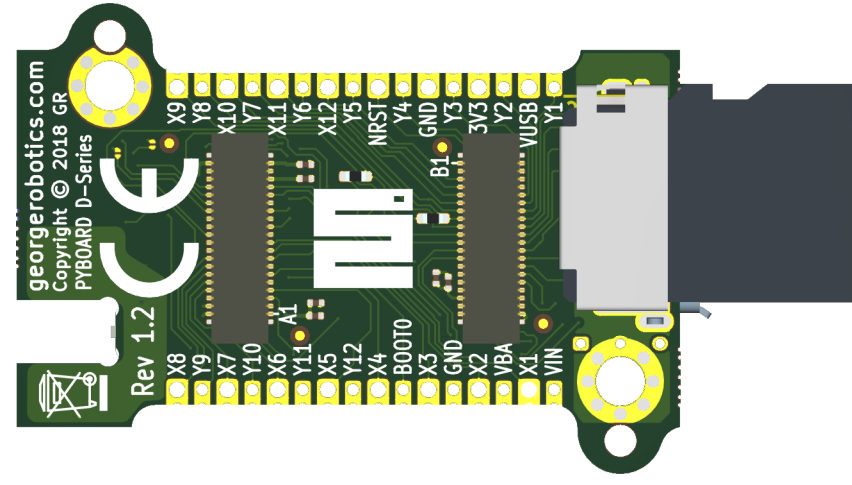
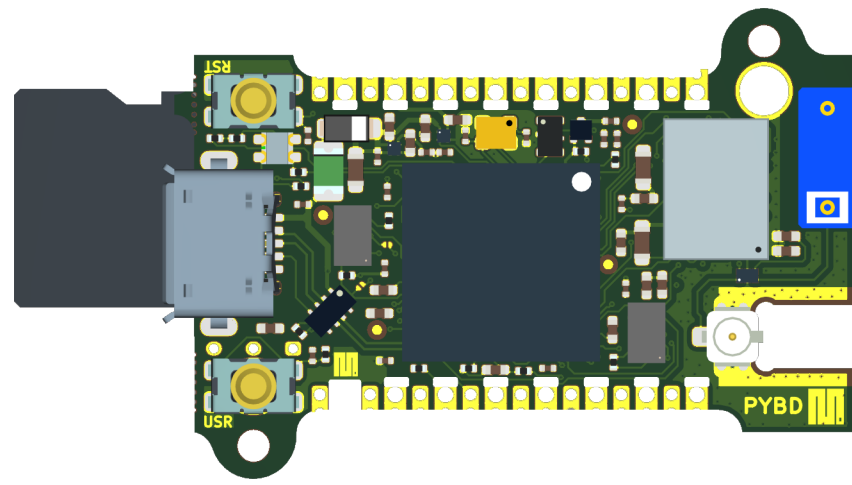


### USB HS LGA

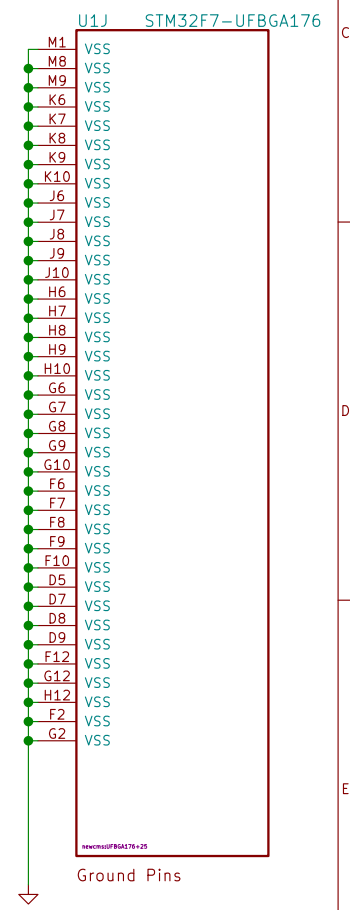
### LGA



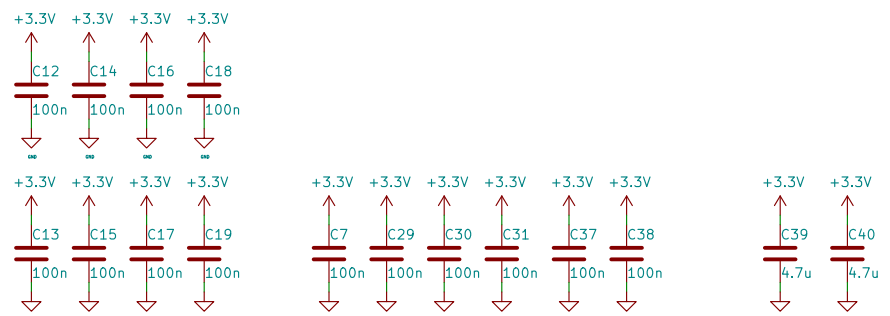
© 2019 GRL, © 2019 tsp  
 Sheet: /modcon/  
 File: modcon\_R6.sch  
**Title: PYBD\_R2**  
 Size: A4 Date: 2019-03-19 Rev: 2  
 KiCad E.D.A. eeschema (2018-01-28 revision 9feb18255)-master Id: 3/4



Power and Cap



Ground Pins



© 2019 GRL, © 2019 tsp  
Sheet: /Power/  
File: Power.sch  
**Title: PYBD\_R2**  
Size: A3 Date: 2019-03-19 Rev: 2  
KiCad E.D.A. eeschema (2018-01-28 revision 9feb18255)-master Id: 4/4

